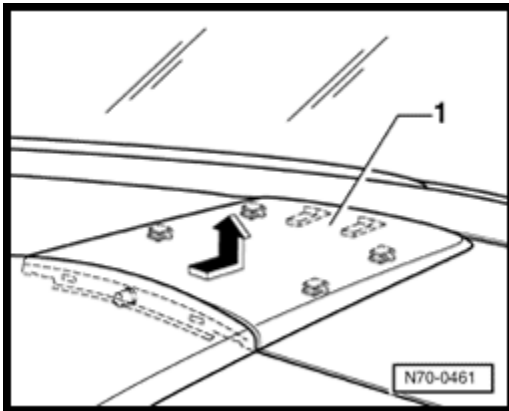


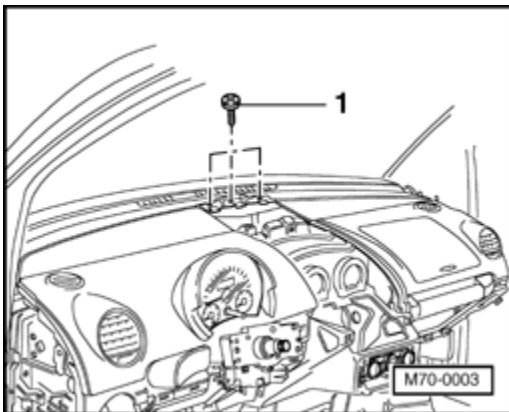
Volkswagen > New Beetle > 1998 - 2005
Body Interior
68 - Interior equipment

Plenum chamber inner cover, removing and installing

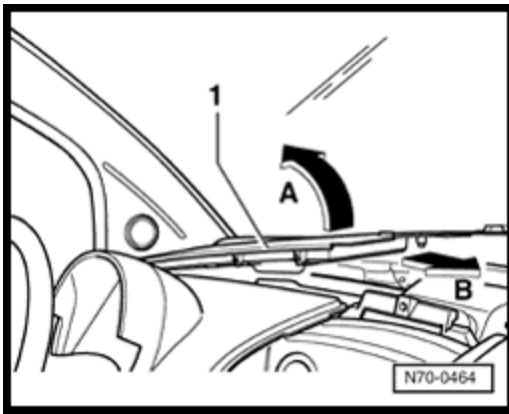
Removing



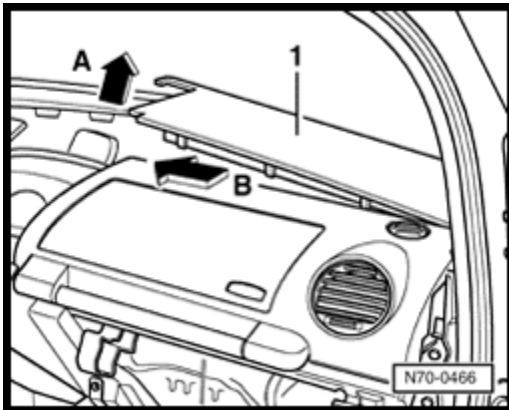
- Slide plenum chamber center cover -1- forward out of its locking device and remove of dash panel -arrow-.



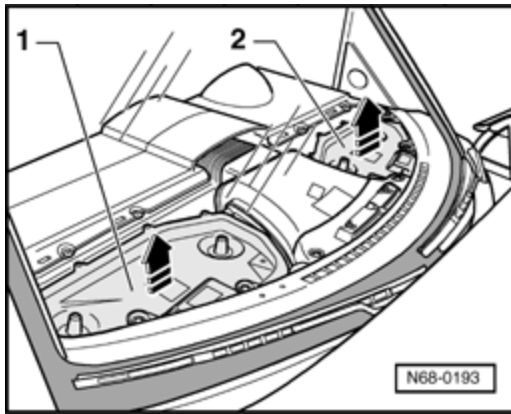
- Remove screws -1- (Qty. 3).



- Lift left-hand plenum chamber cover -1- in center of instrument panel -arrow A-, this action unclips panel (front and rear edges are clipped).
- Pull cover -1- toward center of instrument panel and out of retainers in A-pillar -arrow B-.
- Disconnect electrical connector for speakers.



- Lift right-hand plenum chamber cover -1- in center of instrument panel -arrow A-, this action unclips panel (front and rear edges are clipped).
- Pull cover -1- toward center of instrument panel and out of retainers in A-pillar -arrow B-.
- Disconnect electrical connector for speakers.



- Remove securing screws from right-hand sealing part -1- or left-hand sealing part -2- and take sealing part off plenum chamber upward.

Installing

Install in reverse order of removal.