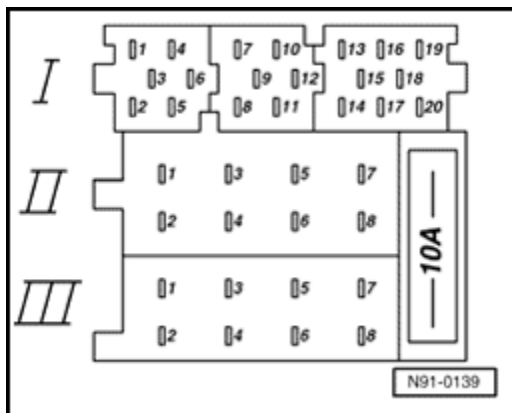


Volkswagen > New Beetle > 1998 - 2005**Communication****91 - Radio, Telephone, Navigation, Trip computer****Radio "Premium V & 5.5" (incl. Monsoon), multi-pin connector assignments,****Terminal assignment of multi-pin connectors I, II, III**

Multi-pin connector I, -T20-, consists of 3 separate connector parts

**Multi-pin connector I, -T20- part 1, yellow (where applicable)**

- 1 - Line out left rear
- 2 - Line out right rear
- 3 - Ground (GND)
- 4 - Line out left front
- 5 - Line out right front
- 6 - Switched positive (B+ out) for amplifier

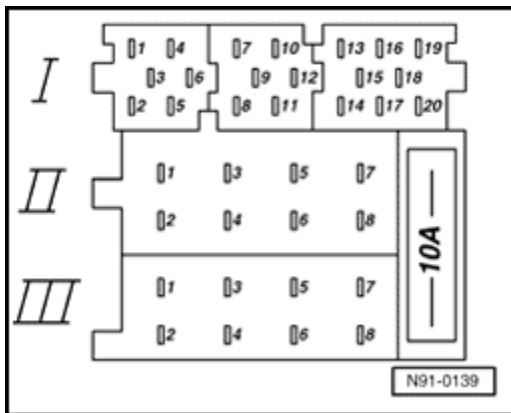
Multi-pin connector I, -T20- part 2, green (where applicable)

- 7 - Open
- 8 - CLOCK
- 9 - DATA
- 10 - ENA

11 - Remote control (serial input)

12 - Open

Multi-pin connector I, -T20- part 3, blue



13 - CD changer - DATA IN

14 - CD changer - DATA OUT

15 - CD changer - CLOCK

16 - CD changer - Positive (B+) supply

17 - CD changer - Control signal

18 - CD changer - Ground (GND) supply

19 - CD changer - Line out, left

20 - CD changer - Line out, right

"Premium V and Premium 5.5" Multi-pin connector II, -T8a-, 8-pin, brown

1 - Speaker + right rear

2 - Speaker - right rear

3 - Speaker + right front

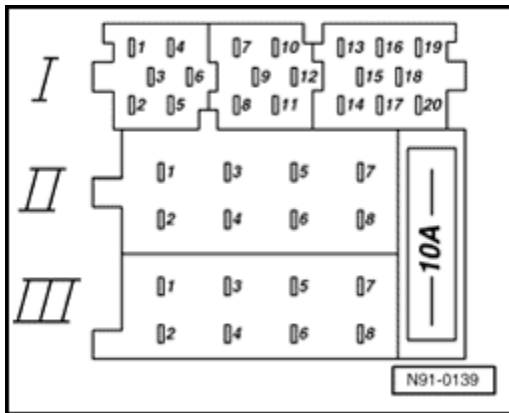
4 - Speaker - right front

5 - Speaker + left front

6 - Speaker - left front

7 - Speaker + left rear

8 - Speaker - left rear



"Premium V - Monsoon and Premium 5.5 - Monsoon" Multi-pin connector II, -T8a-, 8-pin, brown

1 - Amplifier + right rear speaker signal

2 - Amplifier - right rear speaker signal

3 - Amplifier + right front speaker signal

4 - Amplifier - right front speaker signal

5 - Amplifier + left front speaker signal

6 - Amplifier - left front speaker signal

7 - Amplifier + left rear speaker signal

8 - Amplifier - left rear speaker signal

Multi-pin connector III, -T8-, 8-pin, black

1 - Signal for anti-theft alarm system

2 - Open

3 - Data Link Connector (DLC) K wire

4 - Ignition switch -S- contact

5 - Positive (B+) supply, terminal 30 (control input for "SAFE" display/anti-theft)

6 - Illumination, terminal 58b

7 - Battery positive (B+) supply (terminal 30)

8 - Ground (GND) supply