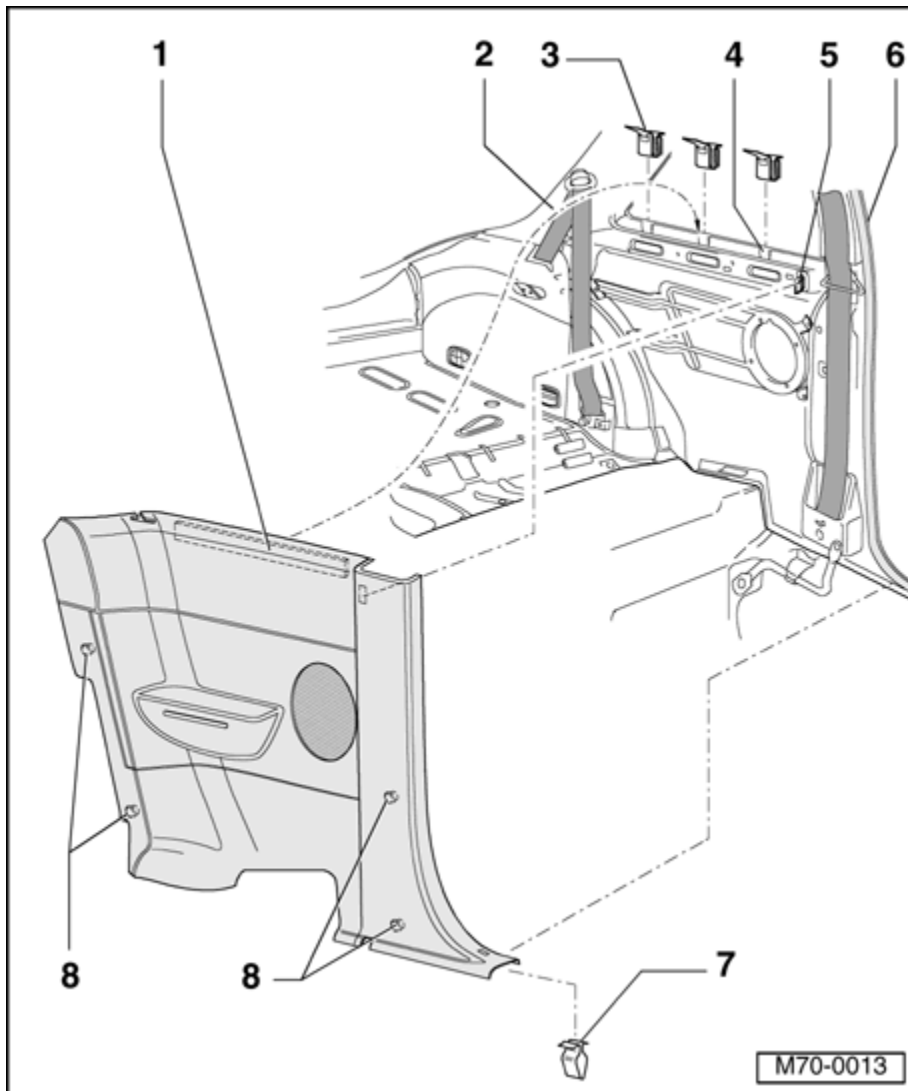


Volkswagen > New Beetle > 1998 - 2005

Body Interior

70 - Interior trim

Side panel trim, removing and installing



Removing

- Remove seat bench => page [72-25](#) or [72-32](#) and remove seat backrest => page [72-26](#) or [72-33](#).
- Remove trim [-1-](#) in vicinity of clips [-8-](#) and [-5-](#) and lift out of clips [-3-](#).

Installing

Install in reverse order of removal.

Note:

- ◆ Check clips -5- and -8- before installing trim -1- and replace as necessary.
- ◆ Remove clips -3- off trim and install on window flange as necessary.
- ◆ Make sure door inner seal is seated correctly after installing trim.