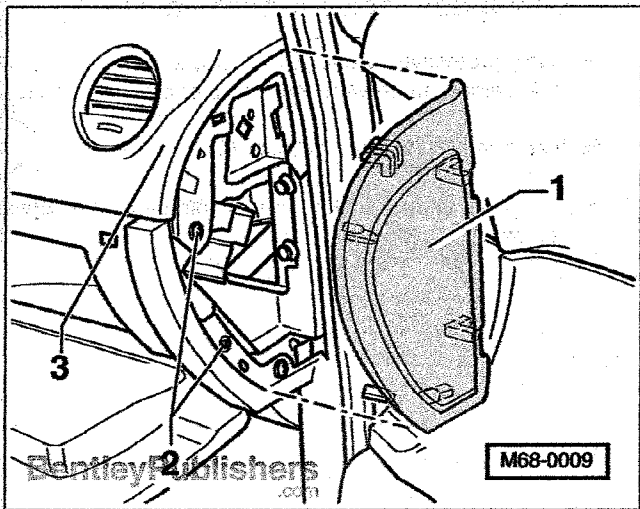
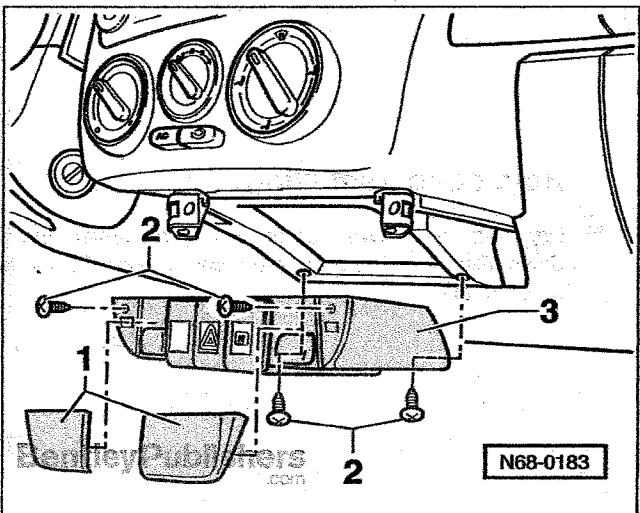


INTERIOR EQUIPMENT

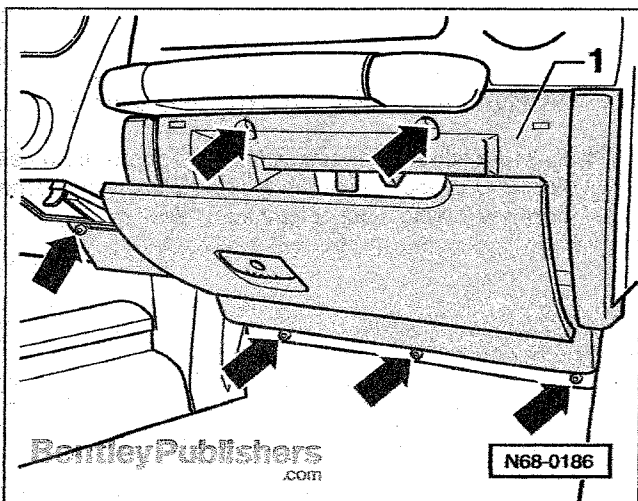
Glove box, removing



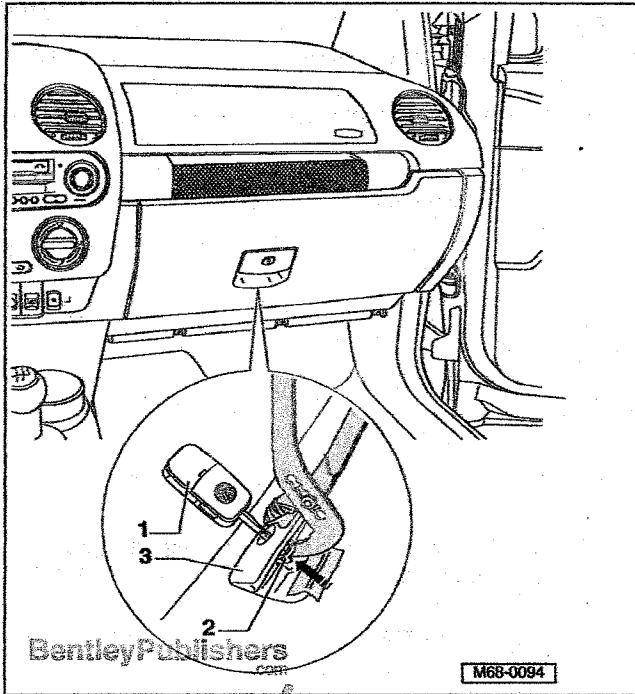
- ◀ Carefully pry off right side trim panel cover (1) at mounting clips.
- Remove glove box mounting screws (2).



- ◀ Pry off lower switch console covers (1) and remove mounting screws (2).
- Pull switch console (3) down from bracket.

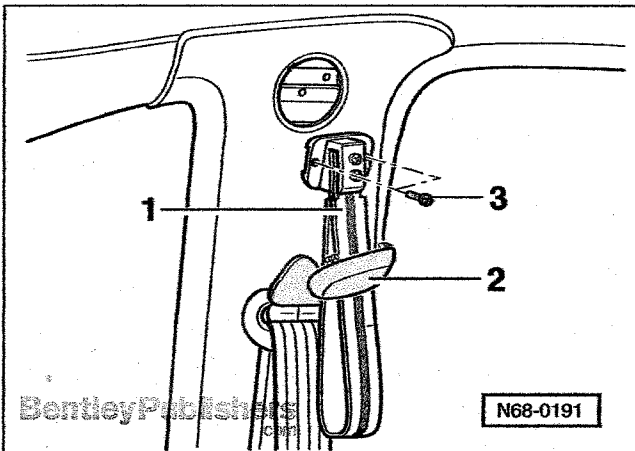


- ◀ Remove the glovebox retaining screws (arrow) and the glove box (1).
- Disconnect harness connector for glove box light.



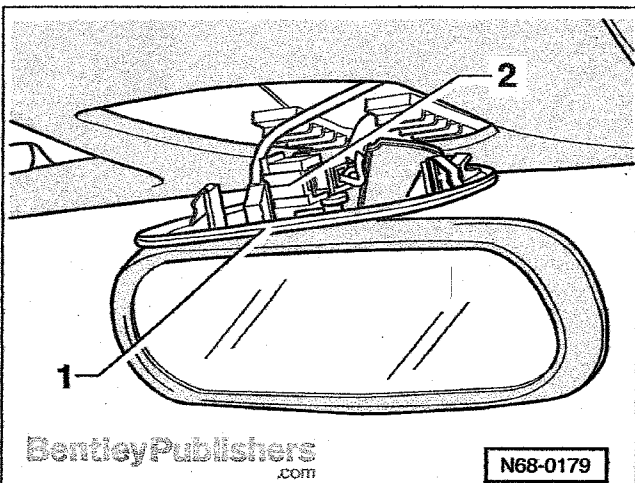
Glove box lock cylinder, removing

- Apply protective tape to jaws of pliers and surfaces near lock cylinder to prevent scratching or other damage.
- ◀ Insert key (1) into lock cylinder (2).
- Use pliers to push lock cylinder in direction of arrow and remove.



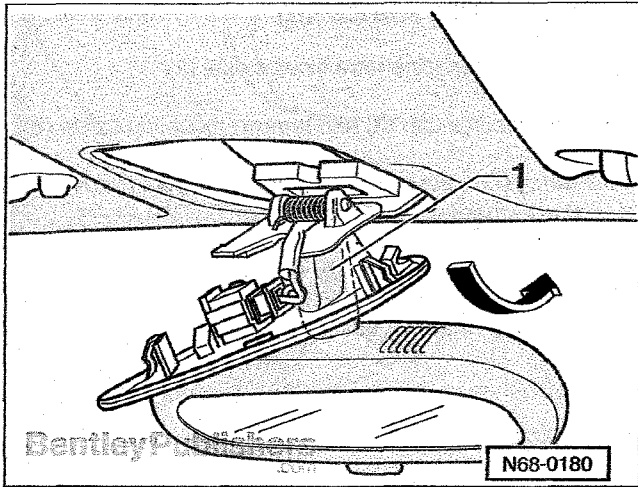
Hold strap, removing

- ◀ Pry hold strap cover (2) off with screwdriver and pull down. Remove hold strap mounting screws (3) and take off strap (1).

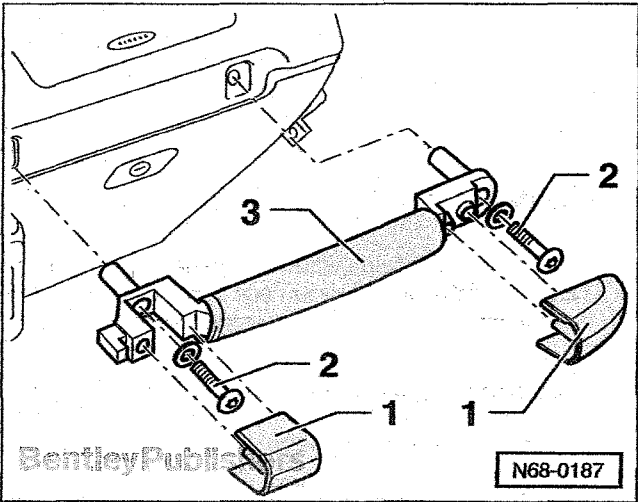


Inside rear view mirror, removing

- ◀ Pull rear edge of mirror mount trim (1) down from headliner and unhook trim at front edge. Disconnect harness connector (2) for interior light from mirror mount.



Press mirror (1) downward (arrow) at an angle off retaining plate (spring clip in mirror base).

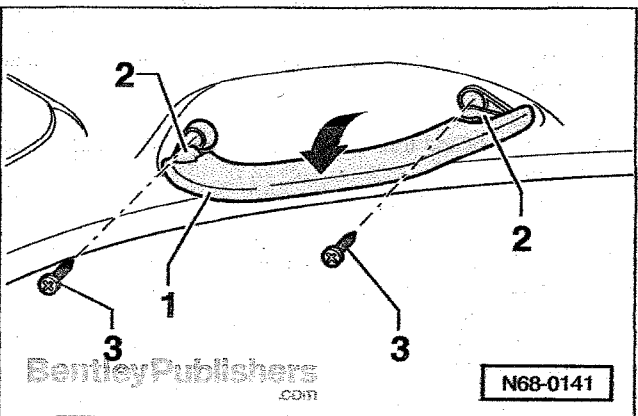


Instrument panel handle, removing

Pull off handle-mount covers (1). Remove mounting screws (2) and pull handle (3) out of instrument panel.

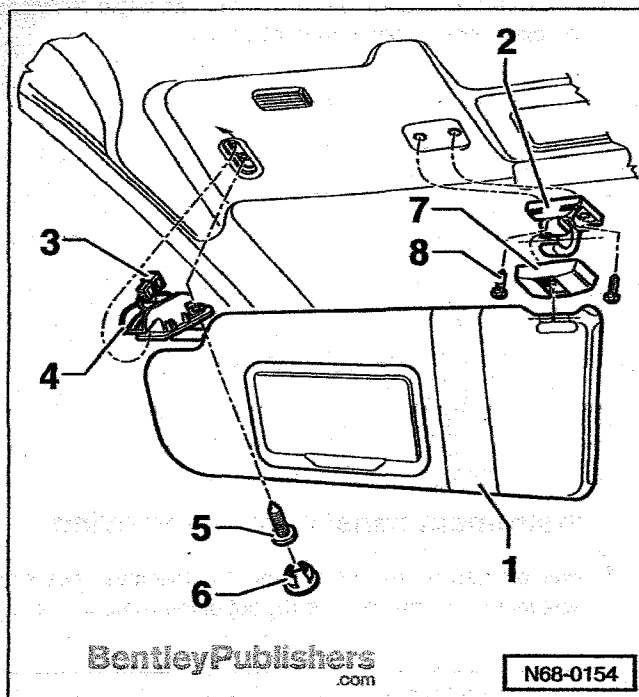
Tightening torque

- Handle to instrument panel 8 Nm (71 in-lb)



Roof handle, removing

Fold handle (1) down. Pry cover (2) up with screwdriver. Remove mounting screws (3) and handle.



Sun visor, removing

- Release sun visor from inner mount (2).
- Pry off cover cap (5) and remove mounting screw (6).
- Swing sun visor outer mount (4) down from roof and separate harness connector (3).
- Pry off inner mount cover cap (7).
- Remove inner mount screws (8) and mount (2).

TRIM PANELS

It is advisable to use a special non-marring trim removal tool (plastic bone) to pry various trim panels out without damaging paint or other adjacent panels.

A-pillar upper trim, removing

- Pull door inner seal off A-pillar.
- Starting at top, unclip trim from A-pillar. Lift up to remove.
- Disconnect harness connector for speaker.
- Before installing trim, check clips on A-pillar and replace as necessary.

⚠ After installing trim, make sure door seal is seated correctly.

1. Trim
 - Round grill (sedan through 1998)
 - Triangular grill (sedan from 1999)
 - No grill (convertible)
2. Retaining pin
3. Speaker connector
4. Door inner seal
5. Clip
6. A-pillar

